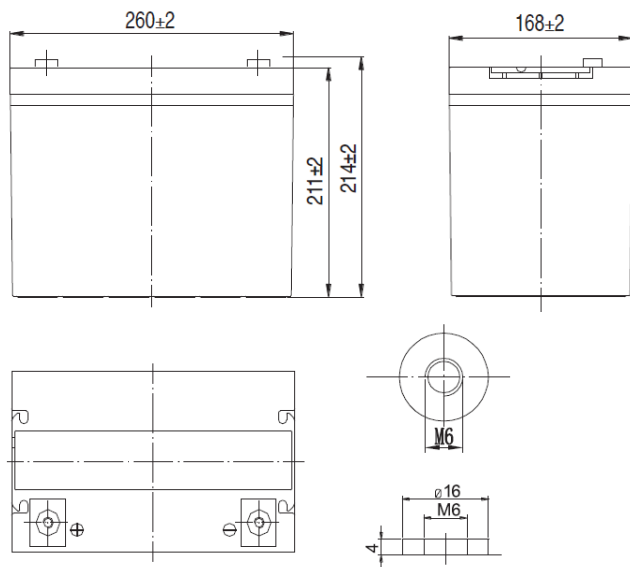


APPLICATIONS

- Solar & Wind power systems
- Power plants
- Uninterruptible Power Supply (UPS)
- Telecommunication Systems
- Electric wheelchairs
- Remote monitoring and controlling
- Solar street lighting
- Water pumping systems



SPECIFICATIONS

Nominal Voltage	12 V	
Number of cells	6	
Cycle Life	Approx. 900 cycles at 50% DoD	
Design Floating Life (20°C)	12 years	
Dimensions	Length	260 mm
	Width	168 mm
	Height	211 mm
	Total Height	214 mm
Weight	23 kg	
Nominal Capacity (25°C)	120 hours rate (1.85)	90.0 Ah
	10 hours rate (1.80)	75.8 Ah
	5 hours rate (1.75)	64.5 Ah
	1 hours rate (1.60)	45.6 Ah
Internal Resistance (fully charged, 25°C)	7 mOhm	
Self Discharge	approx. 3% per month at 20°C	
Nominal Operating Temperature	25°C	
Operating Temperature range	Discharge	-15°C to 65°C
	Charge	-10°C to 60°C
	Storage	-20°C to 60°C
Float Charging Voltage	2.27 to 2.30 V/cell at 25°C	
Temperature compensation	-18mV/°C	
Cyclic Charging Voltage	2.40 to 2.47 V/cell at 25°C	
Temperature compensation	-30mV/°C	
Maximum charging current	18.75 A	
Maximum discharge current (25°C)	750 A (5 sec.)	
Short Circuit Current	1130 A	

PERFORMANCE DATA

Discharge Constant Current at 25°C (Amperes)

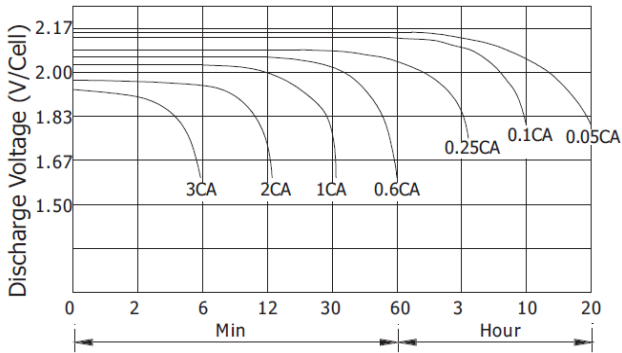
End Voltage (V/cell)	10min	15min	30min	45min	1h	2h	3h	4h	5h	8h	10h	20h	120h
1.60 V	129	115	72.8	58.0	45.6	27.6	18.9	14.8	13.1	9.47	7.95	4.05	----
1.65 V	122	112	71.4	57.0	44.9	27.5	18.9	14.7	13.0	9.34	7.83	4.03	----
1.70 V	117	108	69.0	55.3	43.8	27.2	18.7	14.6	12.9	9.26	7.77	4.00	----
1.75 V	112	105	67.3	54.3	43.2	27.0	18.7	14.5	12.9	9.08	7.64	3.95	----
1.80 V	105	99.0	64.9	53.0	42.6	26.4	18.3	14.4	12.7	8.87	7.58	3.90	0.76
1.85 V	103	97.5	63.9	52.2	42.0	26.0	18.1	14.2	12.5	8.74	7.47	3.84	0.75

Discharge Constant Power at 25°C (Watts/Cell)

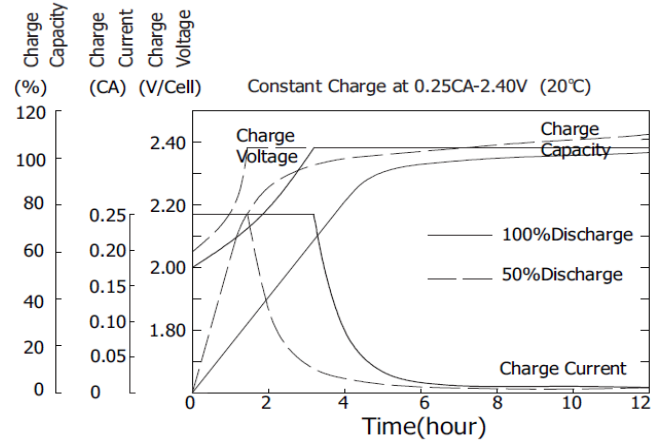
End Voltage (V/cell)	10min	15min	30min	45min	1h	2h	3h	4h	5h	8h	10h	20h	120h
1.60 V	228	214	138	113	87.5	53.5	37.0	28.6	25.5	18.2	15.6	7.94	----
1.65 V	221	209	135	111	86.4	53.0	36.4	28.5	25.2	18.1	15.3	7.91	----
1.70 V	212	201	131	108	83.9	52.5	36.2	28.5	25.0	18.0	15.3	7.90	----
1.75 V	203	194	128	106	82.3	51.8	35.9	28.2	24.8	17.9	15.2	7.85	----
1.80 V	192	184	123	102	79.9	50.4	34.9	27.3	24.5	17.3	15.1	7.81	1.51
1.85 V	189	181	121	101	78.7	49.6	34.4	26.9	24.1	17.1	14.9	7.69	1.49

Note: The above characteristics data can be obtained within three charge/discharge cycles.

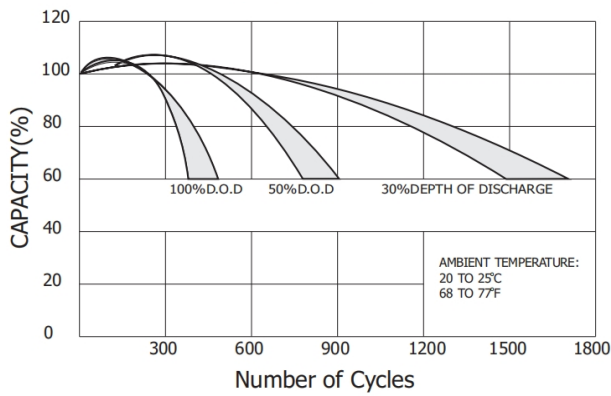
Discharge Characteristics (20°C)



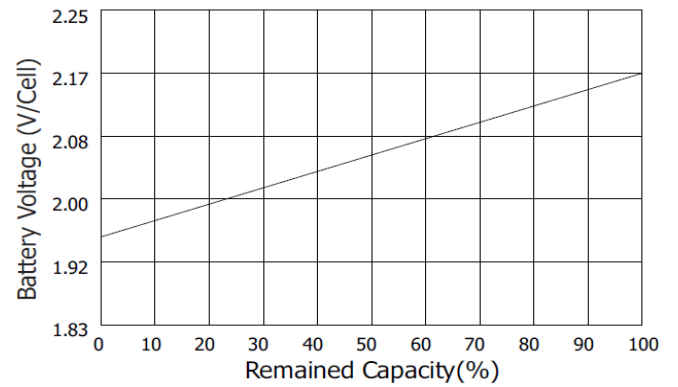
Charging Characteristics (20°C)



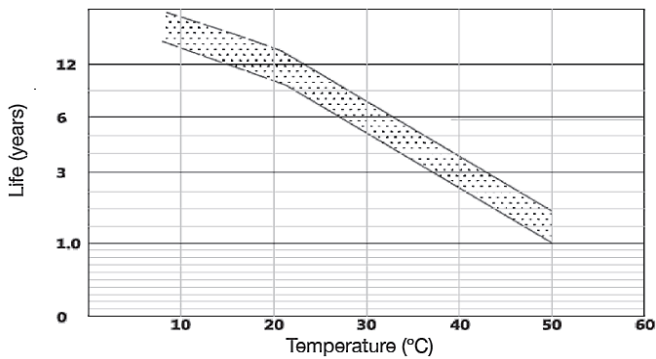
Cycle Service Life in Relation to Depth of Discharge



Relationship Between OCV and Residual Capacity (20°C)



Temperature Effects on Float Life



Self Discharge Characteristics

