

※ Thank you for selecting the Tracer-CPN MPPT solar charge controller. Please read this manual carefully before using the product and pay attention to the safety information.
※ Do not install this product in humid, salt spray, corrosion, greasy, flammable, explosive, dust accumulative, or other severe environments.

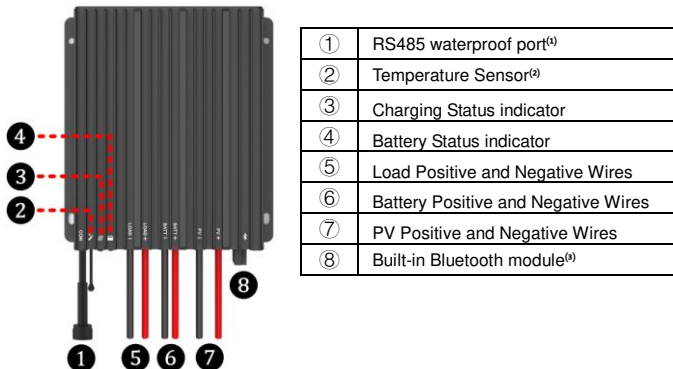
MPPT Solar Charge Controller

1. Overview

The Tracer-CPN solar charge controller adopts the advanced Maximum Power Point Tracking charging technology. Increase the system charging efficiency yet lower the system cost. The controller supports various batteries, such as sealed, gel, flooded, and lithium batteries. Users can view and modify the operational status and parameters. It can be widely used in a solar home system, traffic signal, street light, solar garden lamp, etc. The features are listed below:

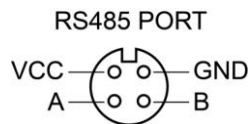
- Adopt high-quality components of ST, IR, and Infineon to ensure product lifespan
- Wider working environment temperature
- Apply to lead-acid battery and lithium battery
- Lithium battery self-activating and low-temperature protection function
- The maximum DC/DC conversion efficiency of 98%
- Advanced Maximum Power Point Tracking (MPPT) technology, with tracking efficiency of no less than 99%
- Advanced MPPT control algorithm to minimize the MPP lost rate and lost time
- Accurately recognizing and tracking multiple power points
- PV power limitation function
- Constant voltage output function
- Monitoring and setting parameters via Mobile APP, PC software
- Standard Modbus communication protocol for the RS485 bus connections
- Connect the IoT (Internet of Things) and Cloud Server to realize remote monitoring
- The RS485 port can provide a power supply
- Built-in Bluetooth module (Only Tracer-CPN(BLE) supports)
- Low self-consumption design, lower than 15mA
- Aluminum housing for better cooling
- Real-time energy statistics function
- IP68 waterproof degree

2. Appearance



(1) The RS485 waterproof port can provide a DC power of 5VDC/200mA, and have the short-circuit protection function. The port is isolation design for Tracer7810CPN/Tracer7810CPN(BLE), and non-isolation design for other series. The pin definition is shown below:

Pin	Definition
VCC	+5VDC
A	RS485-A
B	RS485-B
GND	Power ground



CAUTION: When the RS485 port is not working, the waterproof cap must be installed to prevent water from getting in.

(2) If the temperature sensor is short-circuited or damaged, the controller shall be charging or discharging at the default temperature of 25°C.

(3) Only the Tracer-CPN (BLE) series are designed with the built-in Bluetooth module; please select as you require.

3. Wiring

● Connection sequence

1) Connect components to the controller in the sequence ①Battery > ②Load > ③PV as shown above and pay much attention to the "+" and "-" Please don't connect the fast-acting fuse or circuit breaker during the installation. When disconnecting the system, the order will be reserved.

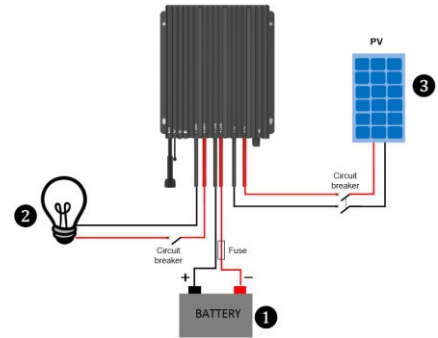
2) The Tracer-CPN/Tracer-CPN (BLE) controllers are common-negative; all the negative terminals can be grounded simultaneously, or anyone can be grounded. However, according to the practical application, the negative terminals of the PV array, battery, and load can also be ungrounded. Still, the grounding terminal on the shell must be grounded. It effectively shields electromagnetic interference from the outside and prevents some electric shock to the human body.



A common-negative controller for a common-negative system, such as the motorhome, is recommended. The controller may be damaged if a common-positive controller is used and the positive electrode is grounded in the common-negative system.

3) Connect a fast-acting fuse in series with the battery positive (+). The fast-acting fuse must be 1.25 to 2 times the rated controller current. The installed distance is within 150mm.

4) After powering the controller, the battery LED indicator on the controller shall flash green. If it's not green, please refer to chapter 10, Troubleshooting.



● Load self-test function

The load is automatically turned ON after powering on the controller for 10s. After the load keeps ON status for 10s, the controller restores to the set working mode.

4. LED Indicators

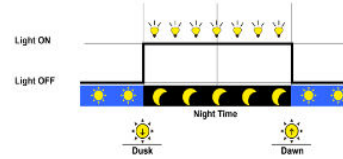
Indicator	Color	Status	Instruction
	Green	On Solid	PV connection normal but low voltage(irradiance) from PV, no charging
		OFF	No PV voltage(night time) or PV connection problem
		Slowly Flashing(1Hz)	In charging
		Fast Flashing(4Hz)	PV overvoltage
	Green	On Solid	Battery normal
		Slowly Flashing(1Hz)	Battery full
		Fast Flashing(4Hz)	Battery overvoltage
	Orange	On Solid	Battery under voltage
		On Solid	Battery over-discharged
		Fast Flashing(4Hz)	Battery overheating Lithium battery low temperature
Charging indicator(green) and battery indicator(orange) flashing simultaneously			System voltage error※

※When connecting with a lithium battery, the controller does not recognize the system voltage automatically.

5. Load Working Mode

1) Manual Mode (Default ON)

2) Light ON/OFF



Turn-On voltage (Adjustable):

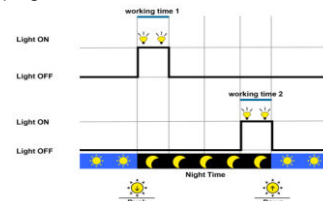
5V (12Vsystem), delay10min.

Turn-Off voltage (Adjustable):

6V (12Vsystem), delay10min.

Note: 24V system voltage×2

3) Light ON+ Timer



4) Real-time Control

Control the load ON/OFF time by setting a real-time clock.



In the Light ON/OFF and Light ON/Timer modes, the Load is turned on after 10 minutes.

6. Accessories (optional) and Software

1) PC Software

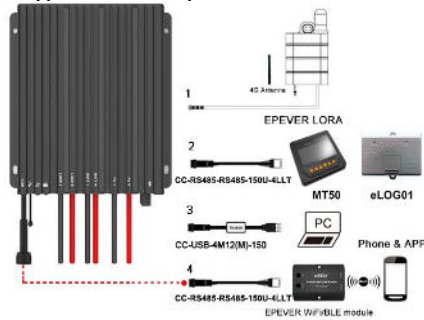
www.epever.com——Solar Station Monitor

2) APP Software

- Android phone
www.epever.com——ChargeController(Li)
- iPhone

APP Store——EPEVER——EP-01

※MT50 does not support the relevant parameters of the lithium battery.



Note: Only the Tracer-CPN series support the external EPEVER BLE module, the Tracer-CPN (BLE) series are already designed with a built-in Bluetooth module.

7. Protection

• PV Over Current

The controller will limit the battery charging current to the rated charge current. Therefore an oversized solar array may not work at peak power.

• PV Short Circuit

The controller will stop charging when the PV input is short-circuited or the short-circuit occurs at the low-power charging. Clear faults to resume work.



The controller may be damaged when the PV input is short-circuited on a high-power.

• PV Reverse Polarity

The PV can be reversely connected with a controller when:

- ① Only the PV is connected to the controller.
- ② The battery is correct connected, and the PV open-circuit voltage is lower than 85V.



The controller will be damaged when the PV array is reversely connected, and the PV array's actual power exceeds 1.5 times the rated charge power!

• Battery Reverse Polarity

The battery can be reversely connected when the PV is disconnected or reversely connected. Correct the wire connection to resume work.



The controller will be damaged when the PV connection is correct and the battery connection is reversed!

• Battery Over Voltage

When the battery voltage exceeds the Over Voltage Disconnect Voltage, the controller will stop charging the battery to protect the battery from being overcharged.

• Battery Over Discharge

When the battery voltage is lower than the Low Voltage Disconnect Voltage, the controller will stop discharging the battery to protect the battery from being over-discharged.

• Battery Overheating

The controller detects the environment temperature by the external temperature sensor. If the environment temperature exceeds 65°C, the controller will stop working and recover below 55°C.

• Lithium battery Low Temperature

When the battery temperature is lower than the low-temperature protection value, the Lithium battery charging/discharging is stopped. It resumes work when the battery temperature exceeds the low-temperature protection value.

• Load Overload

8. Technical Specifications

Item	Model	Tracer5206CPN/Tracer5206CPN(BLE)	Tracer7810CPN/Tracer7810CPN(BLE)
Rated system voltage		12/24VDC Auto(Lithium battery cannot automatically identify system voltage)	
Battery work voltage range		8 ~ 32VDC	
Rated charge/discharge current		20A	30A
Rated charge power		260W/12V; 520W/24V	390W/12V; 780W/24V
Max. PV open circuit voltage		60V (at minimum operating environment temperature) 46V (at 25°C environment temperature)	100V (at minimum operating environment temperature) 92V (at 25°C environment temperature)
MPP Voltage range		(Battery voltage +2V) ~ 36V	
Battery Type		Lead-acid battery: Sealed(Default) / Gel / Flooded/User; Lithium battery: LiFePO4/ Li-NiCoMn/User	
Lead-acid	Equalize Charging Voltage	Sealed: 14.6V, Gel: No, Flooded: 14.8V, User: 9-17V (X2/24V)	
	Boost Charging Voltage	Sealed: 14.4V, Gel: 14.2V, Flooded: 14.6V, User: 9-17V (X2/24V)	
	Float Charging Voltage	Sealed/Gel/Flooded: 13.8V, User: 9-17V (X2/24V)	
	Low Voltage Reconnect Voltage	Sealed/Gel/Flooded: 12.6V, User: 9-17V (X2/24V)	
Lithium	Low Voltage Disconnect Voltage	Sealed/Gel/Flooded: 11.1V, User: 9-17V (X2/24V)	
	Boost Charging Voltage	LiFePO4: 14.5V, Li-NiCoMn: 12.5V, User: 9-17V (X2/24V)	
	Low Voltage Reconnect Voltage	LiFePO4: 12.8V, Li-NiCoMn: 10.5V, User: 9-17V (X2/24V)	
	Low Voltage Disconnect Voltage	LiFePO4: 11.1V, Li-NiCoMn: 9.3V, User: 9-17V (X2/24V)	
Self-consumption	≤10mA(12V); ≤7mA(24V)	≤15mA(12V); ≤9mA(24V)	
Temperature compensation coefficient	-3mV/°C/2V (Lithium batteries don't have temperature compensation coefficient)		
Communication	RS485/BLE		
Work temperature	-40°C ~ +50°C (Above 45°C, please operate in derating)		
Enclosure	IP68		
Dimension (L x W x H)	Tracer5206CPN: 147mm x 130mm x 50mm Tracer5206CPN(BLE): 157mm x 130mm x 50mm		Tracer7810CPN: 155mm x 141mm x 51.5mm Tracer7810CPN(BLE): 165mm x 141mm x 51.5mm
Mounting hole size	Φ4.5mm		
Mounting size (L x W)	121mm x 120mm		
Power cable (PV/BAT/LOAD)	PV:11AWG, BAT/LOAD: 10AWG		
Net weight	1.30kg		

Any changes without prior notice! Version number: V1.1

If the load current exceeds 1.05 times the rated load current, the controller will

disconnect the load after a delay time. Overloading must be cleared by reducing the load and restarting the controller.

• Load Short Circuit

The load will be switched off when the short circuit (≥4 times rated load current) happens. The controller will automatically attempt to reconnect the load five times. Suppose short circuit protection still exists after the fifth attempt. In that case, the user has to clear the short circuit, restart the controller or wait for one night-day cycle (night time>3 hours).

• Temperature sensor breakdown

When the temperature sensor is short-circuited or damaged, the controller will charge or discharge at 25°C by default to avoid damage to the battery caused by overcharge or over-discharge.

• High-voltage Transients

The controller is protected against small high-voltage transients. In lightning-prone areas, additional external arrester is recommended.

9. Troubleshooting

Faults	Possible reasons	Troubleshooting
Charging LED is off during the daytime, and sunshine falls on PV modules properly	PV array disconnection	Confirm that PV and battery wire connections are correct and tight
No LED indicator	Battery voltage may be less than 8.5V	Measure battery voltage with the multi-meter. A minimum of 8.5V can start up the controller
Battery LED flashes green quickly	Battery over voltage	Check if the battery voltage exceeds the OVD, and disconnect the PV
Battery LED is red ON solid	Battery over-discharged	The load will recover when the battery voltage is restored to or above the LVR (low voltage reconnect voltage).
Battery LED flashes red	Battery Overheating	The controller will resume when the battery temperature declines to 50°C or below.
The load has no output	Load Overload ^①	①Please reduce the number of electric equipment. ②Restart the controller. ③wait for one night-day cycle (night time>3 hours).
	Load Short Circuit ^①	①Check carefully the loads' connection and clear the fault. ②Restart the controller. ③wait for one night-day cycle (night time>3 hours).

①When the load is overloaded or short-circuited, the load will automatically restore output five times, respectively, delaying 5S, 10S, 15S, 20S, and 25S.

10. Disclaimer

This warranty does not apply to the following conditions:

- Damage from improper use or use in an unsuitable environment.
- PV or load current, voltage, or power exceeds the rated value of the controller.
- The actual working temperature exceeds the limited working environment temperature.
- The user disassembly or attempted to repair the controller without permission.
- The controller is damaged due to natural elements such as lightning.
- The controller is damaged during transportation and shipment.